



ISOLED KNOWLEDGE

**PRECISE
LIGHT
LINES**

ISOLED[®]

CUSTOMISED LIGHT SOLUTIONS



PRECISE LIGHT LINES WITH PROFILES FROM ISOLED®

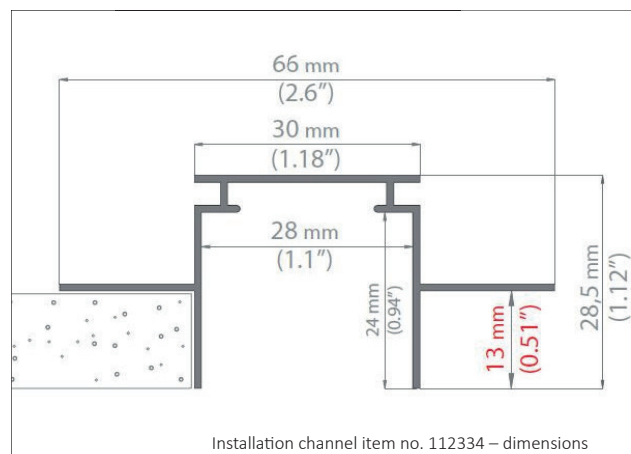
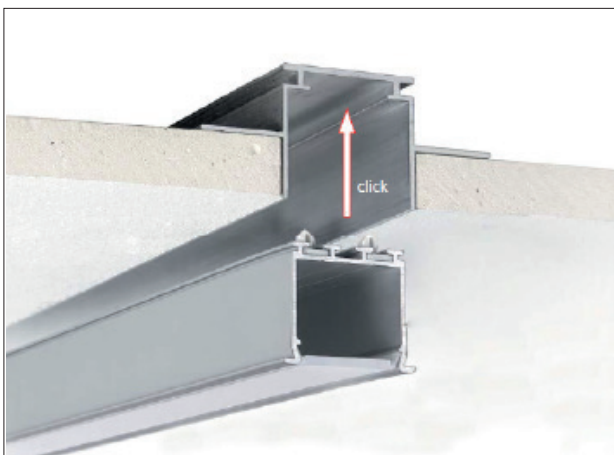
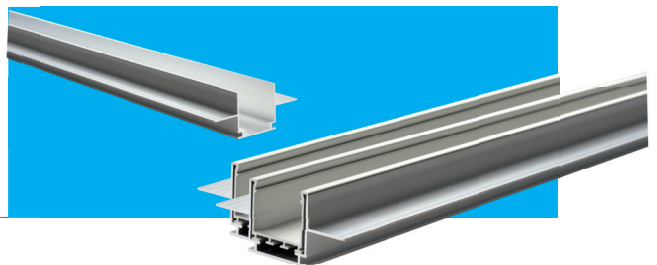
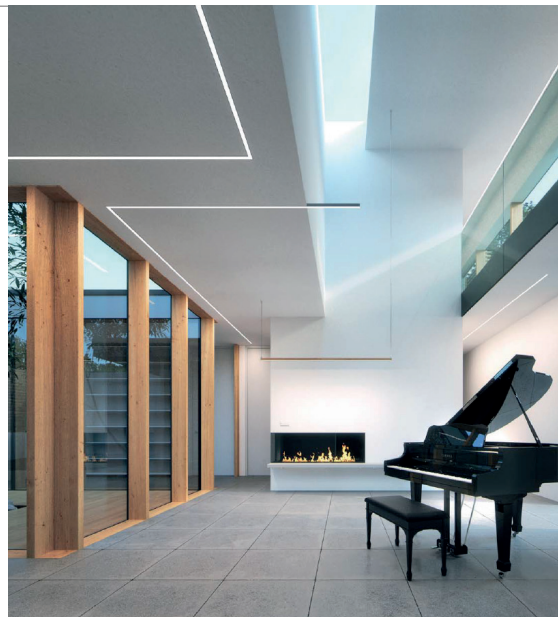
You will find the right profile series for every requirement in the ISOLED® product range. Single or multi-row profiles made of anodised aluminium in different shapes, together with accessories such as end caps, brackets and mounting clips, allow for a professional and precise integration of LED flex strips in architectural conditions.

ISOLED® profiles meet every demand for functionality and aesthetics. They provide security and reliability, serve as protection against mechanical impacts, dissipate heat and therefore extend the life of the LED flex strips. The discreet, but elegant design sustainably blends into the holistic LED lighting solution.

Assembly instructions of the installation channel

Using the following assembly instructions of the installation channel (item no. 112334), we show you how user-friendly and gentle on building structures our profiles are designed to be.

The installation channel is an assembly aid for drywall and plasterboard elements. Product compatibility was strictly paid attention to in the design so that other profiles from the ISOLED® product range can easily be fastened to the installation channel with a clip mechanism.

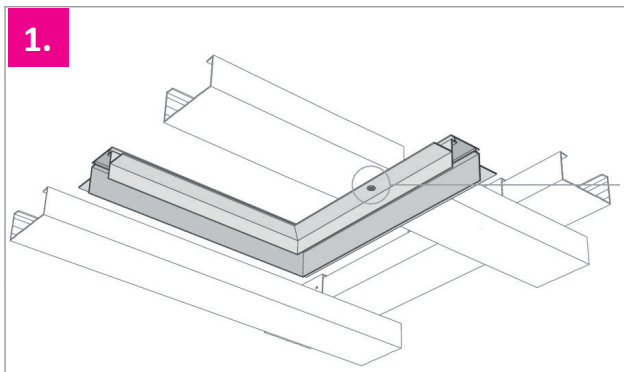


Flush frameless installation option for drywall and plasterboard elements with a maximum thickness of 12.5 mm. The installation profile (item no. 112336) is fastened to the installation channel (item no. 112334) with a clip mechanism.

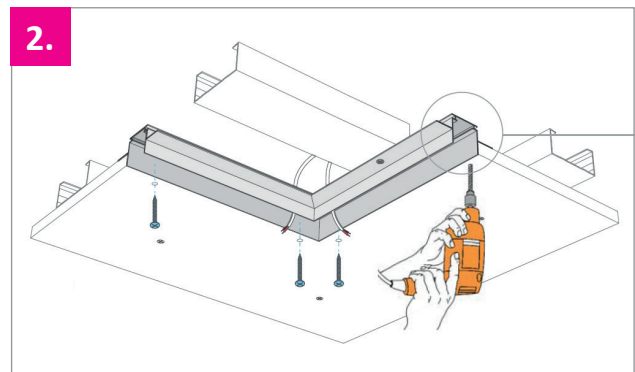




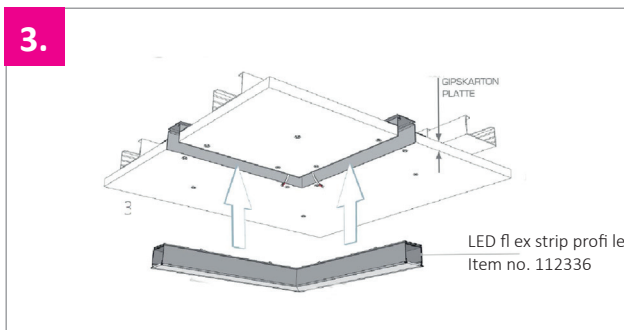
PRECISE LIGHT LINES WITH PROFILES FROM ISOLED®



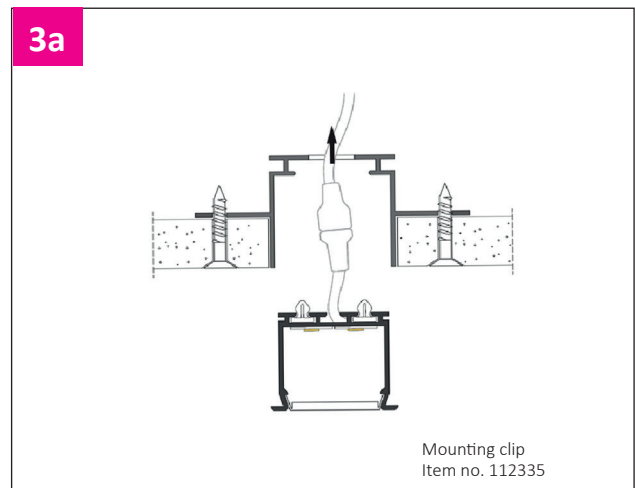
1. Step 1: The installation channel is screwed onto the side wings with the substructure of the ceiling. Tip: Lower the pre-drilled holes slightly so that the screws are flush with the installation channel.



2. Step 2: Drill holes into the wings of the installation channel as well as the drywall or plasterboard elements with a drill and then screw them together tightly.



3. Step 3: On the rear side of the LED flex strip profile, use two mounting clips (item no. 112336) per meter for the subsequent fastening in the installation channel and then press the LED flex strip profile into the installation channel. Note: Ensure that all mounting clips snap into place (listen for the clicking sound).



You can find the entire product range, including the matching accessories, at www.isoled.de